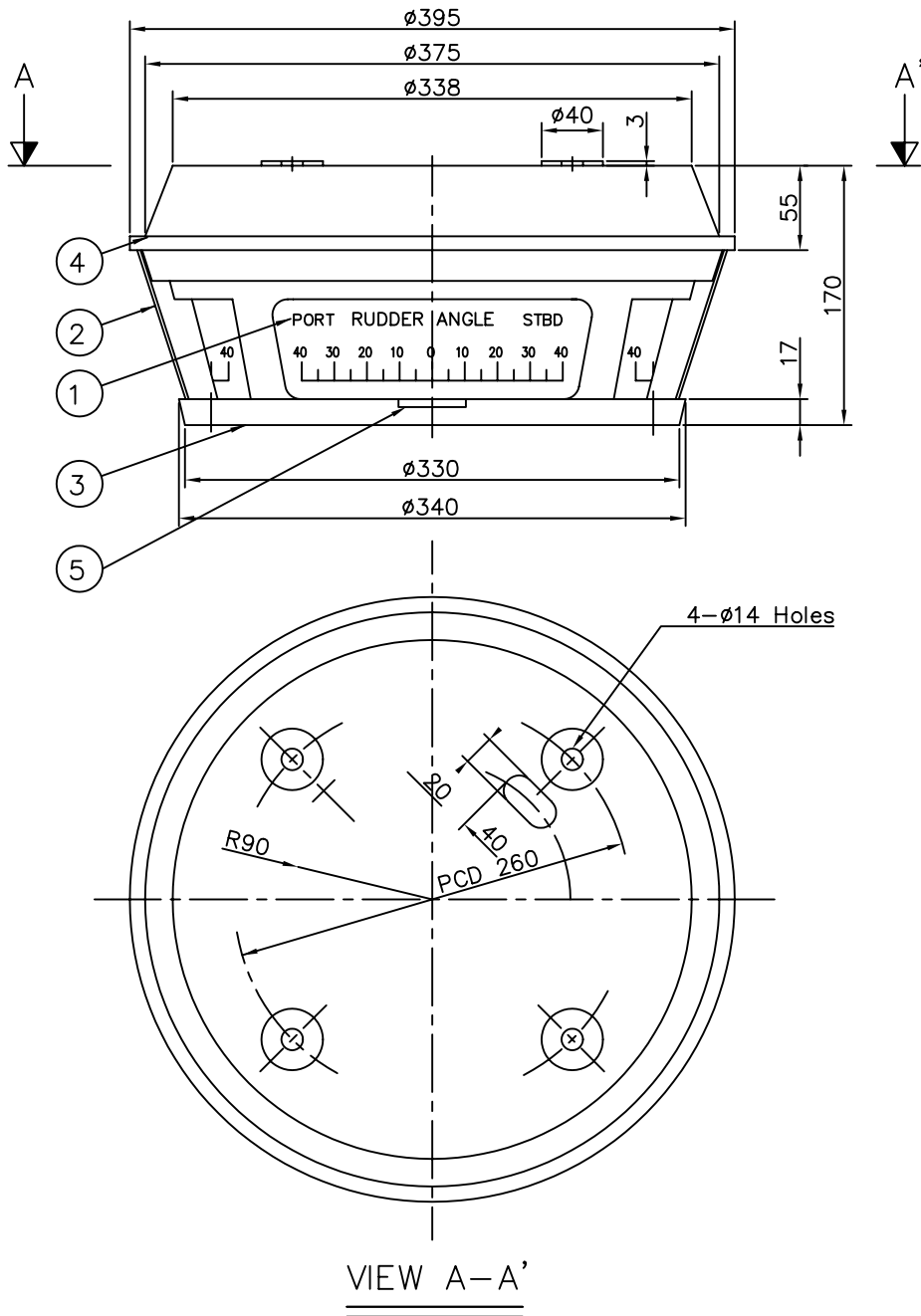


1

2

3

4



WEIGHT : 8 Kg

5	1	NAME PLATE	SUS
4	1	BODY	AL
3	1	BOTTOM PLATE	STEEL
2	1	WINDOW	ACRYL
1	3	SCALE PLATE	ACRYL
NO.	Q'TY	NAME	MATERIAL

SHT. NO.

This drawing is the property of CMR KOREA Co.,Ltd. and must not be wholly or partly copied, reproduced, utilized or published without written consent.
 This is a CADAM drawing and should not be corrected by hand.

GENERAL TOLERANCE FOR BOX OUTLINE		GENERAL TOLERANCE FOR SENSOR & FITTING HOLE		△					
NOMINAL MEASURE		TOLERANCES		NOMINAL MEASURE		TOLERANCES		NOTE	
OVER	MAX.			OVER	MAX.			APP.	20040101
1	100	± 1.0		1	4	± 0.3		CHK.	P. H. LEE
100	200	± 2.0		4	16	± 0.5		TITLE	
200	500	± 3.0		16	63	± 1.0		PANORAMA 3 FACE RUDDER ANGLE INDICATOR (RWS-300)	
500	1000	± 5.0		63	250	± 2.0		DWG.	20040101
1000	2000	± 7.0		250	1000	± 2.5		J. H. LEE	
SIZE		A4		CMR KOREA CO., LTD.				DRAWING NO.	
								RAIC-01-001	

1

2

3

4