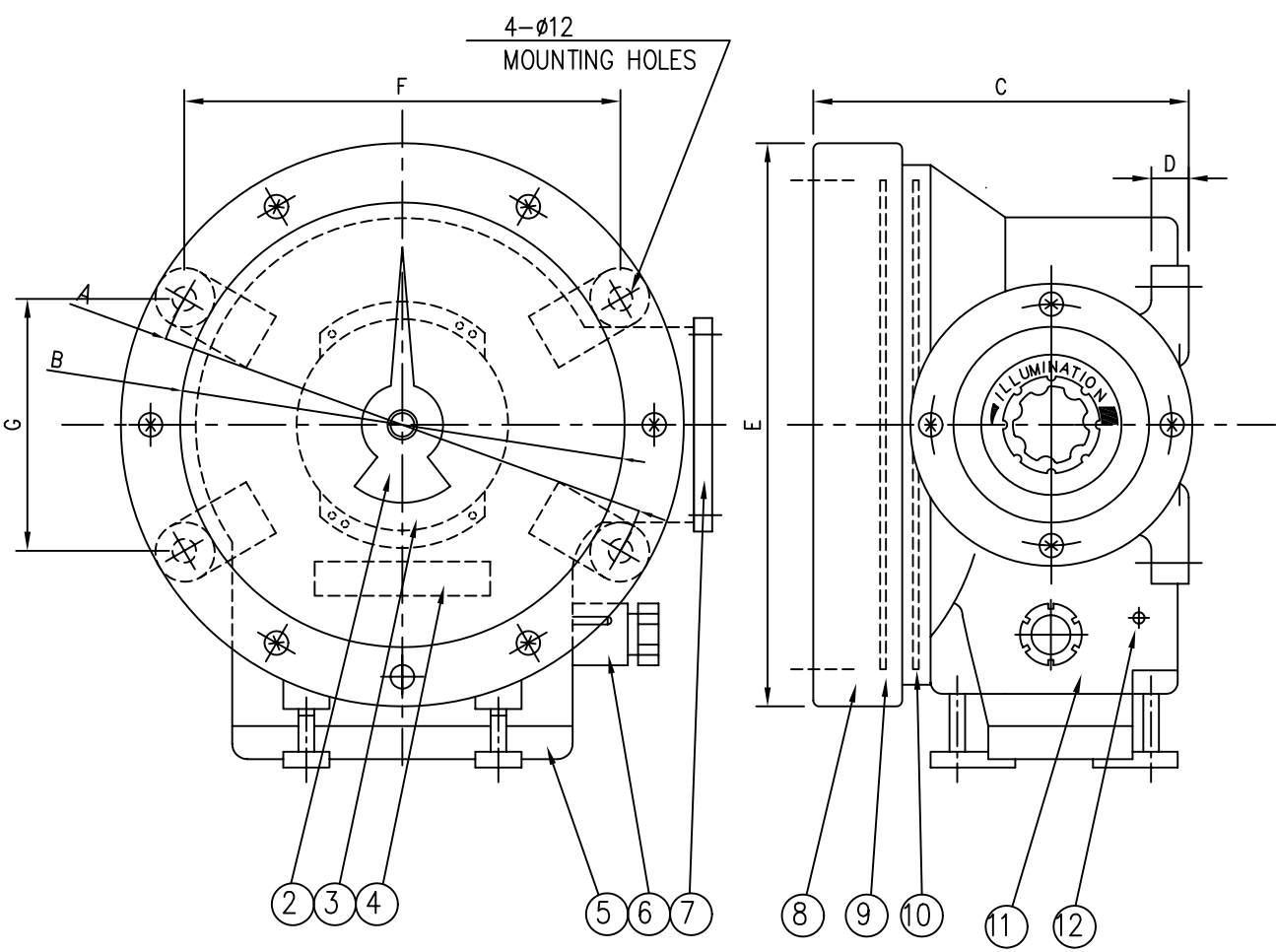


A
B
C
D
E
F

A
B
C
D
E
F



MODEL	DIMENSION							WEIGHT
	A	B	C	D	E	F	G	
RWD-200	∅ 220	∅ 200	145	16	∅ 250	180	126	5.9Kg

SHT. NO.

6	CABLE GLAND	BRASS	1	NJ25B	12	EARTH BOLT	BRASS	1	
5	TERMINAL COVER	AL.CAST	1		11	BODY	AL.CAST	1	
4	TERMINAL	PHENOL	1	6P	10	ILLUMINATION PLATE	ACRYL	1	
3	SYNCHRO MOTOR		1		9	INDICATOR DIAL	ACRYL	1	
2	NEEDLE	ACRYL	1		8	COVER FRAME	AL.CAST	1	
1	-	-	-	-	7	BLIND COVER	AL.CAST	1	
No.	NAME OF PART	MATERIAL	Q'TY	REMARK	No.	NAME OF PART	MATERIAL	Q'TY	REMARK

This drawing is the property of CMR KOREA Co.,Ltd. and must not be wholly or partly copied, reproduced, utilized or published without written consent. This is a CADAM drawing and should not be corrected by hand.

GENERAL TOLERANCE FOR BOX OUTLINE		GENERAL TOLERANCE FOR SENSOR & FITTING HOLE		△	△	△	△	NOTE		
NOMINAL MEASURE	TOLERANCES	NOMINAL MEASURE	TOLERANCES	REV.	LOC	DATE				
OVER	MAX.	OVER	MAX.	APP.	20040101		P. H. LEE	TITLE	REV.	0
1	100	± 1.0	1 4	± 0.3	CHK.			INDICATOR (RWD-200)	UNIT	mm
100	200	± 2.0	4 16	± 0.5	DWG.	20040101	J. H. LEE		SCALE	N / S
200	500	± 3.0	16 63	± 1.0	SIZE	A4	CMR KOREA CO., LTD.		DRAWING NO.	RAIC-04-009
500	1000	± 5.0	63 250	± 2.0						
1000	2000	± 7.0	250 1000	± 2.5						