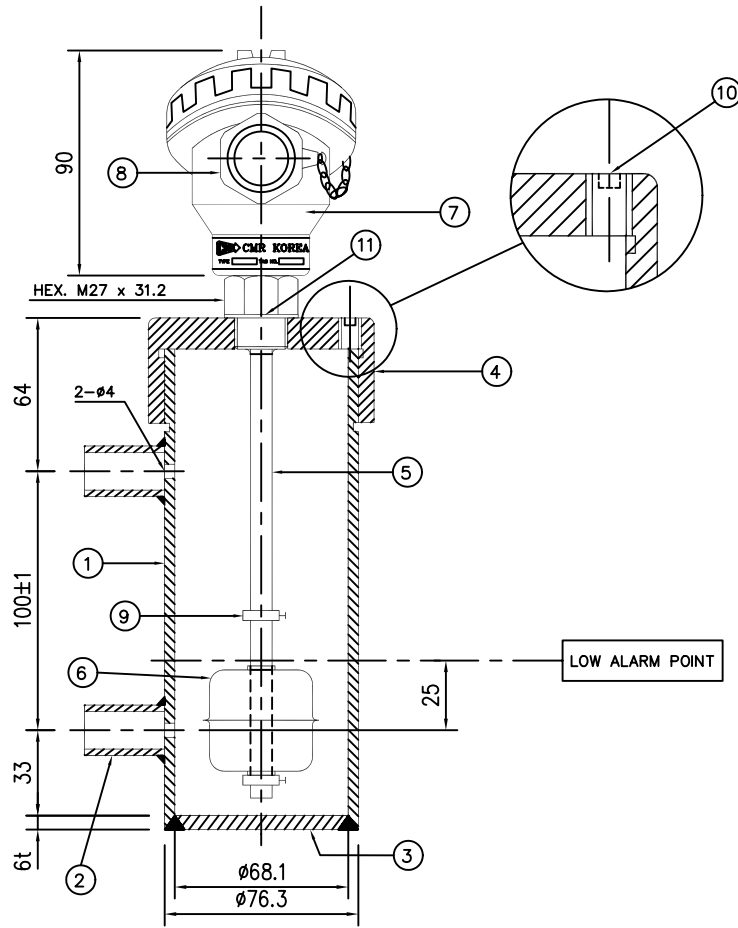
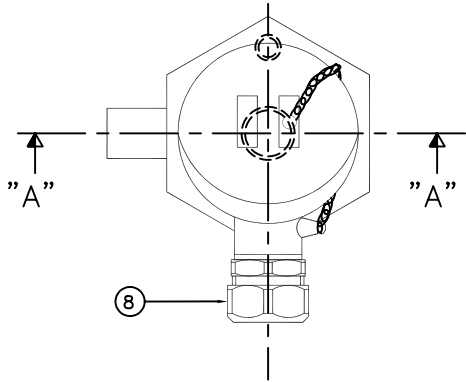
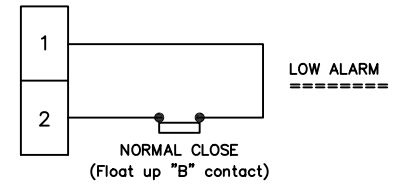


SSHI STOCK NO. 83200112
 SSHI DWG. NO. 83200112



CONNECTION
 =====



| NO. | N A M E | MAT'L | SIZE | Q'TY | REMARKS |
|-----|--------------|---------|-------------|------|------------|
| 11 | PACKING | COPPER | 2.0t | 1 | |
| 10 | SOCKET SCREW | | M10 x 13L | 1 | 1.5P |
| 9 | STOPPER | SUS304 | | 2 | |
| 8 | CONNECTOR | ZnDC.2 | WBG #17 | 1 | |
| 7 | HEAD | AL.CAST | | 1 | |
| 6 | FLOAT | SUS316 | φ50x48L | 1 | |
| 5 | GUIDE PIPE | SUS304 | φ12.7 | 1 | |
| 4 | CAP | SS41 | | 1 | Cr COATING |
| 3 | PIPE BOTTOM | SS41 | φ68 x 6t | 1 | |
| 2 | PIPE | SGP15A | 1/2"x42L | 2 | Cr COATING |
| 1 | PIPE | SGP | 2-1/2"x184L | 1 | Cr COATING |

A-A SECTION
 =====

SHT. NO.

NOTE
 =====

- 용접부는 으로 견고하게 용접할 것.
- 산세척후 외부에 아연도금 할 것.
 (#6,7은 제외)

This drawing is the property of CMR KOREA Co.,Ltd. and must not be wholly or partly copied, reproduced, utilized or published without written consent. This is a CADAM drawing and should not be corrected by hand.

| GENERAL TOLERANCE FOR BOX OUTLINE | | GENERAL TOLERANCE FOR SENSOR & FITTING HOLE | | △ | | | | NOTE | | |
|-----------------------------------|------------|---|------------|------|-------|------|------|---------|-------------|-------|
| NOMINAL MEASURE | TOLERANCES | NOMINAL MEASURE | TOLERANCES | REV. | LOC | DATE | | | | |
| OVER | MAX. | OVER | MAX. | | | | APPD | 2000421 | Y. H. KIM | TITLE |
| 1 | 100 | ± 1.0 | 1 | 4 | ± 0.3 | | | | REV. | 1 |
| 100 | 200 | ± 2.0 | 4 | 16 | ± 0.5 | | | | UNIT | mm |
| 200 | 500 | ± 3.0 | 16 | 63 | ± 1.0 | | | | SCALE | N / S |
| 500 | 1000 | ± 5.0 | 63 | 250 | ± 2.0 | | | | DRAWING NO. | |
| 1000 | 2000 | ± 7.0 | 250 | 1000 | ± 2.5 | | | | LVL02-11001 | |

| | | | | | |
|------|---------|---------------------|----------------------|-------------|----|
| APPD | 2000421 | Y. H. KIM | TITLE | REV. | 1 |
| CHKD | | | Level Switch (LAL28) | UNIT | mm |
| DWG. | 2000421 | B. M. RYOU | SCALE | N / S | |
| SIZE | A4 | CMR KOREA CO., LTD. | | DRAWING NO. | |
| | | | | LVL02-11001 | |