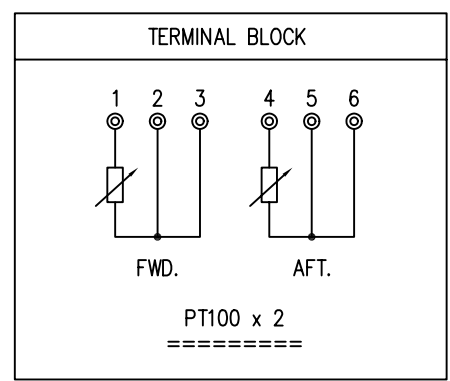


CONNECTION BOX
 1. SIZE
 ** CABLE GLAND : 15a,b,c/20a,b,c ---> No.1
 ** CABLE GLAND : 25a,b,c ---> No.2

No	a	b	c	d	height
1	110	80	90	60	65
2	170	140	152	122	95

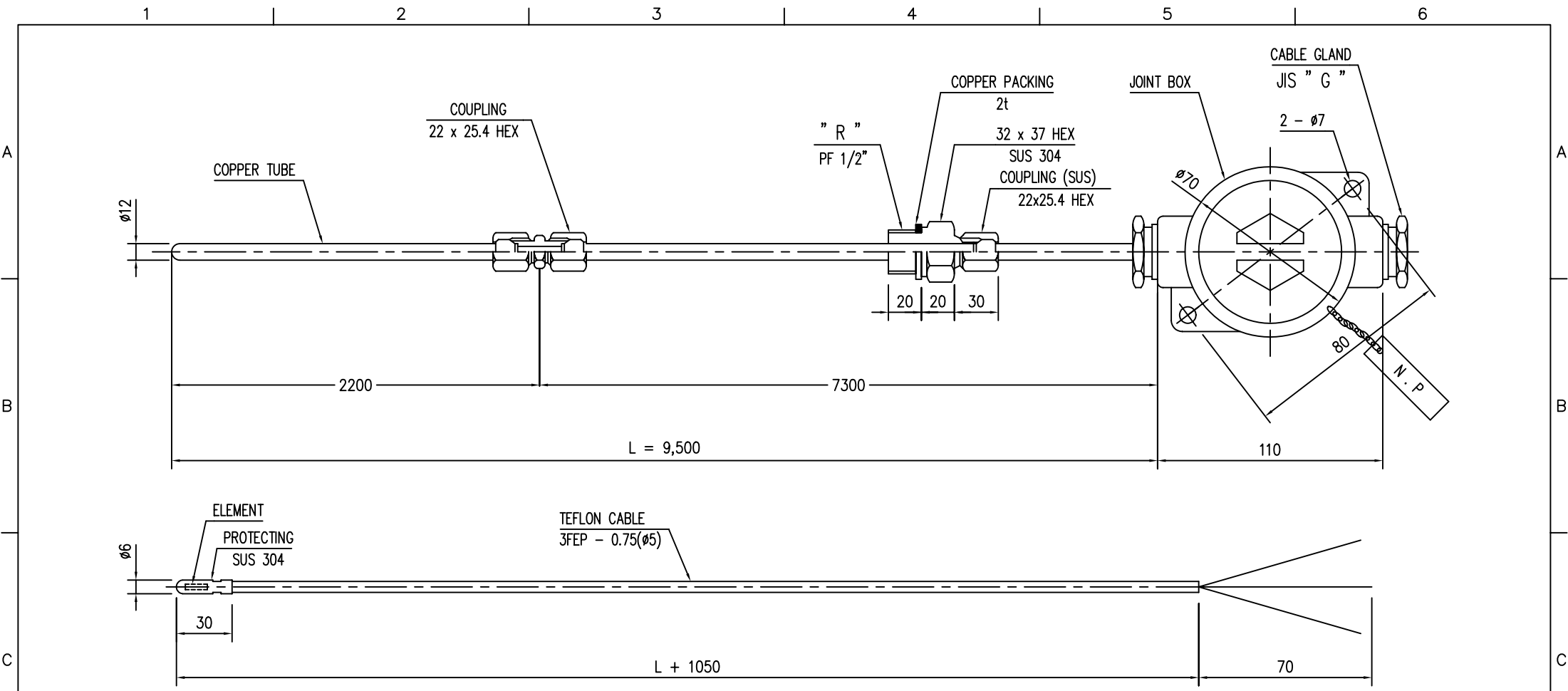
2. MATERIAL : POLYCARBONATE
 3. PROTECTION : IP.67
 4. AMBIENT TEMP. : -40°C ~ +70°C
 SHT. NO.

NOTE
 =====
 1. L1, L2, R, G SEE MEASURING POINT
 2. MIN. BENDING RADIUS R = 60
 3. CUSTOMER STATE : L1, L2

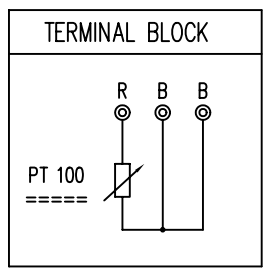


This drawing is the property of CMR KOREA Co.,Ltd. and must not be wholly or partly copied, reproduced, utilized or published without written consent. This is a CADAM drawing and should not be corrected by hand.

GENERAL TOLERANCE FOR BOX OUTLINE		GENERAL TOLERANCE FOR SENSOR & FITTING HOLE		△							
NOMINAL MEASURE	TOLERANCES	NOMINAL MEASURE	TOLERANCES	REV.	LOC	DATE	NOTE				
OVER	MAX.	OVER	MAX.								
1	100	± 1.0	1	4	± 0.3	APPD	20030101	P. H. LEE	TITLE	REV.	0
100	200	± 2.0	4	16	± 0.5	CHKD			S/T BEARING TEMP. SENSOR	UNIT	mm
200	500	± 3.0	16	63	± 1.0	DWG.	20030101	S. J. LEE	MODEL : CTE (TWO POINT)	SCALE	N / S
500	1000	± 5.0	63	250	± 2.0	SIZE	A4		DRAWING NO.		
1000	2000	± 7.0	250	1000	± 2.5	CMR KOREA CO., LTD.			STB2P-01001		



NOTE
 =====
 1. R / G SEE MEASURING POINT
 2. MIN. BENDING RADIUS R = 60



SHT. NO.

This drawing is the property of CMR KOREA Co.,Ltd. and must not be wholly or partly copied, reproduced, utilized or published without written consent. This is a CADAM drawing and should not be corrected by hand.

GENERAL TOLERANCE FOR BOX OUTLINE		GENERAL TOLERANCE FOR SENSOR & FITTING HOLE		△				NOTE			
NOMINAL MEASURE	TOLERANCES	NOMINAL MEASURE	TOLERANCES	REV.	LOC	DATE					
OVER	MAX.	OVER	MAX.								
1	100	± 1.0	1	4	± 0.3	APPD	20011123	Y. J. PARK	TITLE	REV.	0
100	200	± 2.0	4	16	± 0.5	CHKD			S/T BEARING TEMP. SENSOR	UNIT	mm
200	500	± 3.0	16	63	± 1.0	DWG.	20011123	S. J. LEE	CTE-H (REPLACEABLE TYPE)	SCALE	N / S
500	1000	± 5.0	63	250	± 2.0	SIZE	A4		CMR KOREA CO., LTD.	DRAWING NO.	
1000	2000	± 7.0	250	1000	± 2.5					TEC05-01001	