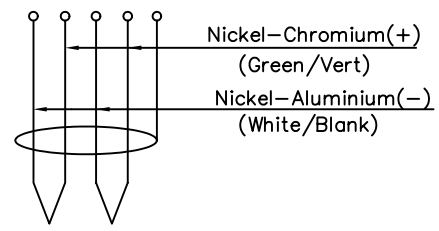


WIRING / CABLAGE

- 1 -
- 2 +
- 3 -
- 4 +



Class. B - UTEC 46 201
 INSULATION / ISOLEMENT
 100 MOhms / 500Vdc
 20°C < T < 30°C

NOTE
 =====
 A : 600 °C / 112°F
 B : 220 °C / 428°F

2	140	20000	MC29-2KI-140-20000-FR	B73-100161-1-2	1588176
1	140	10000	MC29-2KI-140-10000-FR	B73-100161-1-1	1588175
TYPE	L1	L2	DESIGNATION CMR REFERENCE	MAN Sachnummer (')	Code CMR
	(mm)				

SHT. NO.

This drawing is the property of CMR KOREA Co.,Ltd. and must not be wholly or partly copied, reproduced, utilized or published without written consent.
 This is a CADAM drawing and should not be corrected by hand.

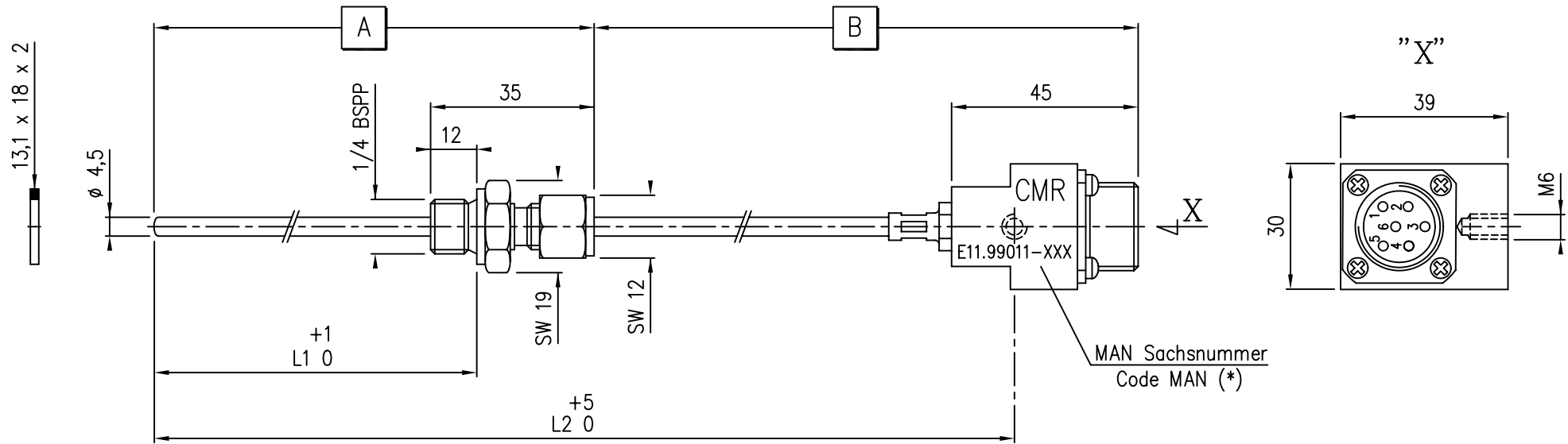
GENERAL TOLERANCE FOR BOX OUTLINE		GENERAL TOLERANCE FOR SENSOR & FITTING HOLE		△			
NOMINAL MEASURE		TOLERANCES		NOMINAL MEASURE		TOLERANCES	
OVER	MAX.			OVER	MAX.		
1	100	± 1.0		1	4	± 0.3	
100	200	± 2.0		4	16	± 0.5	
200	500	± 3.0		16	63	± 1.0	
500	1000	± 5.0		63	250	± 2.0	
1000	2000	± 7.0		250	1000	± 2.5	

REV.	LOC	DATE	NOTE	
APP.	20030101	P. H. LEE	TITLE	
CHK.			DOUBLE THERMOCOUPLE (MC29-2KI-FR)	
DWG.	20030101	S. J. LEE	REV.	1
SIZE	A4	CMR KOREA CO., LTD.	UNIT	mm
			SCALE	N / S
			DRAWING NO.	SEN0T-01001

ALL DIMENSIONS IN : mm

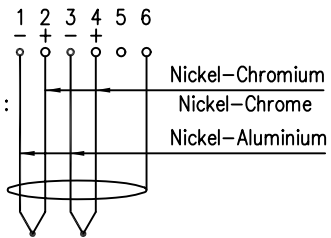
WORKING LIMIT TEMP. ; A : 600°C / 1112°F - B : 150°C / 302°F

IP=54



WIRING / CABLAGE

Class. B / UTEC 46 201
INSULATION / ISOLEMENT :
100 MOhms / 500 Vdc
20°C < T < 30°C



3	139	195	MC30A-2KI-139-1/4-195-E1	X11.99011K0740	1588195	215	185
2	197	265	MC30A-2KI-197-1/4-265-E1	X11.99011K0739	1588196	285	255
1	82	735	MC30A-2KI- 82-1/4-735-E1	X11.99011K0738	1588194	755	725
Type	L1 (mm)	L2 (mm)	Désignation CMR reference	MAN Sachsnummer (*)	Code CMR	Lc (mm)	Ld (mm)

Lc longueur coupe pyro / Ld = dénudage

SHT NO.

This drawing is the property of CMR KOREA Co.,Ltd. and must not be wholly or partly copied, reproduced, utilized or published without written consent. This is a CADAM drawing and should not be corrected by hand.

GENERAL TOLERANCE FOR BOX OUTLINE		GENERAL TOLERANCE FOR SENSOR & FITTING HOLE		REV.		LOC		DATE		NOTE	
NOMINAL MEASURE	TOLERANCES	NOMINAL MEASURE	TOLERANCES	OVER	MAX.	OVER	MAX.	OVER	MAX.	OVER	MAX.
1	100 ± 1.0	1	4 ± 0.3	APPD	20030101	P. H. LEE		TITLE		REV.	0
100	200 ± 2.0	4	16 ± 0.5	CHKD				Double Thermocouple		UNIT	mm
200	500 ± 3.0	16	63 ± 1.0	DWG.	20030101	S. J. LEE				SCALE	N / S
500	1000 ± 5.0	63	250 ± 2.0	SIZE	A3	CMR KOREA CO., LTD.		DRAWING NO.		SEN0T-04001	
1000	2000 ± 7.0	250	1000 ± 2.5								

