

TERMINAL BLOCK

This drawing is the property of CMR KOREA Co.,Ltd. and must not be wholly or partly copied, reproduced, utilized or published without written consent. This is a CADAM drawing and should not be corrected by hand.

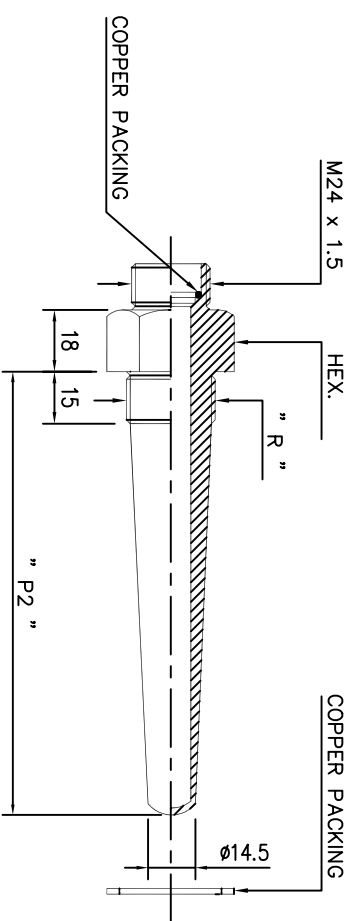
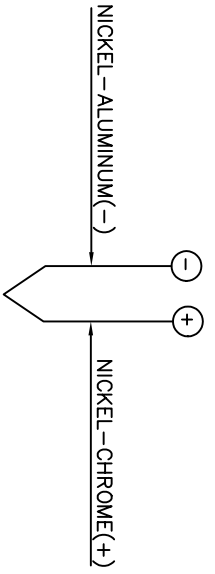
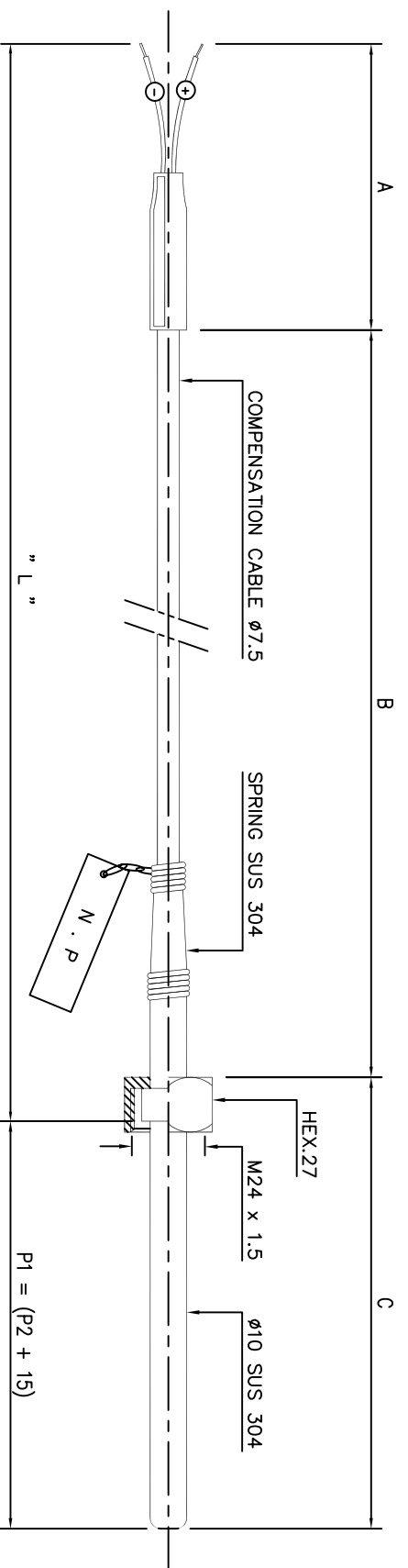
SHT. NO.

- NOTE
1. P2 / S / G
SEE MEASURING POINT
 2. MATERIAL :
CONNECTION HEAD : AL-DIECAST
OTHER : SUS 304
 3. IP GRADE : IP 54
 4. ELEMENT : THERMOCOUPLE " K "
 5. WORKING LIMIT TEMPERATURE : MAX. 800°C
 6. ACCURACY : $\pm 0.0075t$ (class 2)
 7. TEMP. RANGE : 0 ~600°C

GENERAL TOLERANCE FOR BOX OUTLINE		GENERAL TOLERANCE FOR SENSOR & FITTING HOLE	
NOMINAL MEASURE	TOLERANCES	NOMINAL MEASURE	TOLERANCES
OVER	MAX.	OVER	MAX.
1	± 1.0	1	± 0.3
100	± 2.0	4	± 0.5
200	± 3.0	16	± 1.0
500	± 5.0	63	± 2.0
1000	± 7.0	250	± 2.5

REV.	LOC	DATE	TITLE
△			
APPD	20030101	P. H. LEE	TEMP. TRANSMITTER
CHKD			MP1100K W/BORED POCKET
DWG.	20030101	S. J. LEE	

SIZE	A4	DRAWING NO.	SENMK-02001
CMR KOREA CO., LTD.		N O T E	
		PROJE-CTION	N / A
UNIT	mm	SCALE	N / S



- NOTE
1. P2 / R / L SEE MEASURING POINT
 2. AVERAGE RESPONSE TIME IN WATER AT 63% OF THE RANGE WITHOUT POCKET : 60 SEC
 3. WORKING LIMIT TEMPERATURE

4. PROTECTION : IP54
5. ACCURACY : $\pm 0.0075t$ (class 2)

This drawing is the property of CMR KOREA Co.,Ltd. and must not be wholly or partly copied, reproduced, utilized or published without written consent.
This is a CADAM drawing and should not be corrected by hand.

GENERAL TOLERANCE FOR BOX OUTLINE		GENERAL TOLERANCE FOR SENSOR & FITTING HOLE	
NOMINAL MEASURE	TOLERANCES	NOMINAL MEASURE	TOLERANCES
OVER	MAX.	OVER	MAX.
1	± 1.0	1	4
100	± 2.0	4	16
200	± 3.0	16	63
500	± 5.0	63	250
1000	± 7.0	250	1000

REV.	LOC	DATE	NOTE
APP.	20030101	P. H. LEE	TITLE
CHK.			THERMOCOUPLE
DWG.	20030101	S. J. LEE	(MD1U) WITH BORED POCKET

SIZE	A4
DRAWING NO.	SENMD-01001
REV.	0
UNIT	mm
SCALE	N / S

CMR CMR KOREA CO., LTD.