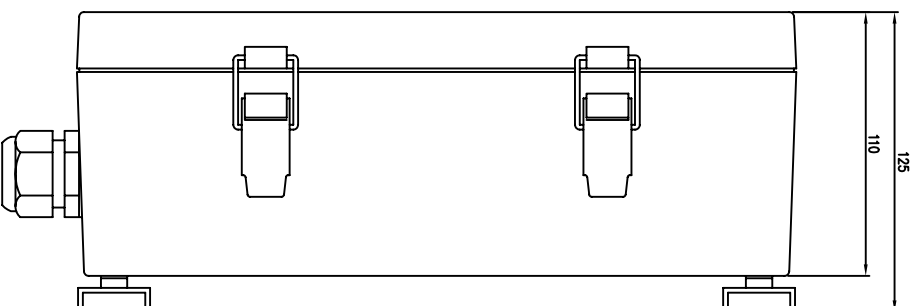


FRONT VIEW



SIDE VIEW

NOTE

1. Voltage : AC 110 ~ AC 220V, 60Hz, $\pm 10\%$
2. Limit Distance : 3 Km
3. Lens Voltage : Low DC $\pm 6V$, High DC $\pm 10V$
4. Pan/Tilt output voltage : AC 24V, AC 110V, 220V
5. Camera output Voltage : AC 24V, AC 110V, 220V
6. Contact Type : Relay type
7. Material : ALUMINUM DIECASTING
8. Power consumption : 12W
9. Weight : 4.7 Kg
10. Color : 4.97BG 6.14/0.94

SHT. NO.

NOTE

△					
△					
REV.	LOC	DATE	NOTE		
APP.	20031111	P. H. LEE	TITLE		
CHK.			CONTROL RECEIVER BOX		
DWG.	20031111	B. Y. SON	MODEL : SJ2000RX		
SIZE	A4		PROJECTION	N / A	
			UNIT	mm	
			SCALE	N / S	

CMR CMR KOREA CO., LTD.

DRAWING NO.
CTVRE-05-001