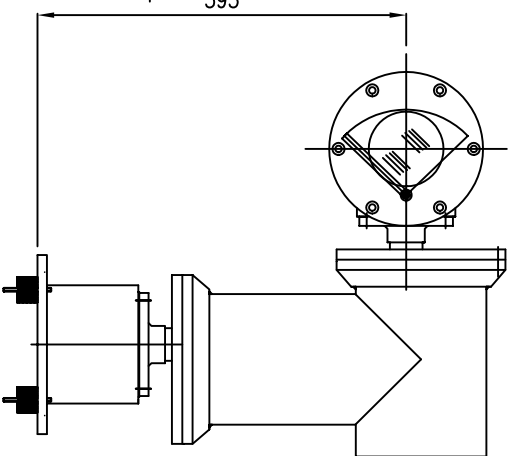


DETAIL "A"



This drawing is the property of CMR KOREA Co.,Ltd. and must not be wholly or partly copied, reproduced, utilized or published without written consent. This is a CADAM drawing and should not be corrected by hand.

* TYPE OF PROTECTION : Ex D IIC T6/IP66
 * WEIGHT : 30 Kg (ABOUT)

NO.	NOMENCLATURE	MTL	QTY	WEIGHT	REMARKS
03	EX. CABLE GRAND		2		WEDQAT-16
02	CAMERA HOUSING	SUS316	1		WEDQAT-32
01	PAN/TILT DRIVE	SUS316	1		

SHIT. NO.

GENERAL TOLERANCE FOR BOX OUTLINE		GENERAL TOLERANCE FOR SENSOR & FITTING HOLE	
NOMINAL MEASURE	TOLERANCES	NOMINAL MEASURE	TOLERANCES
OVER	MAX	OVER	MAX
1	± 1.0	1	± 0.3
100	± 2.0	4	± 0.5
200	± 3.0	16	± 1.0
500	± 5.0	63	± 2.0
1000	± 7.0	250	± 2.5

REV.	LOC	DATE

APP.	20020101	S. D. KIM	TITLE
CHK.			EX. PROOF HOUSING WITH WIPER
DWG.	20020101	B. Y. SON	EXPH-200

NOTE

REV.	0
UNIT	mm
SCALE	N / S

GENERAL TOLERANCE FOR BOX OUTLINE		GENERAL TOLERANCE FOR SENSOR & FITTING HOLE	
NOMINAL MEASURE	TOLERANCES	NOMINAL MEASURE	TOLERANCES
OVER	MAX	OVER	MAX
1	± 1.0	1	± 0.3
100	± 2.0	4	± 0.5
200	± 3.0	16	± 1.0
500	± 5.0	63	± 2.0
1000	± 7.0	250	± 2.5

APP.	20020101	S. D. KIM	TITLE
CHK.			EX. PROOF HOUSING WITH WIPER
DWG.	20020101	B. Y. SON	EXPH-200

CMR KOREA CO., LTD.

DRAWING NO. CTVH0-05-004