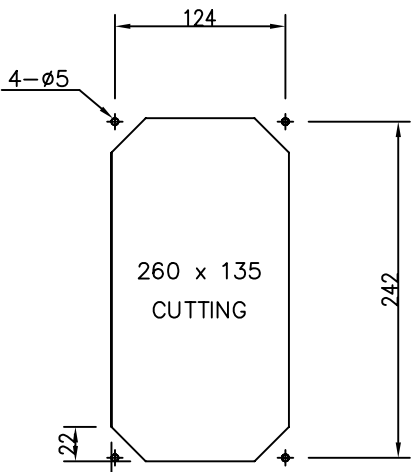


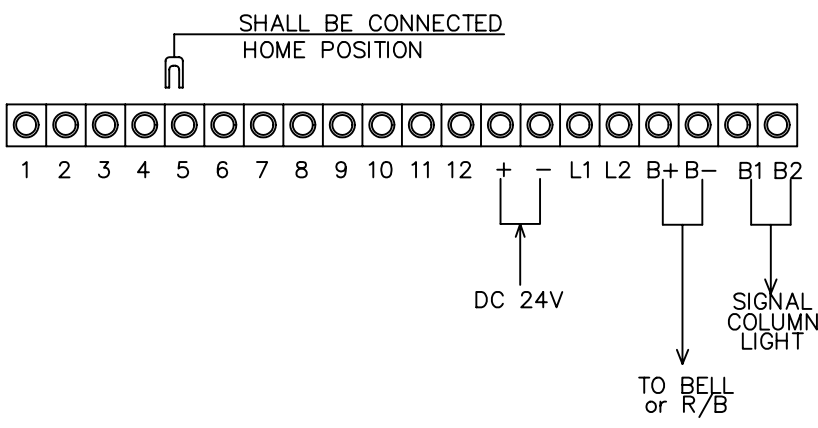
FRONT VIEW

SIDE VIEW

TERMINAL BLOCK



PANEL CUT



7	TERMINAL BLOCK	1	
6	PUSH BUTTON	1	
5	PILOT LAMP	1	
4	HANDSET CORD	1	
3	HANDSET FASTENER	1	
2	HANDSET	1	
1	FRONT PANEL	1	ABS
NO	NAME OF PARTS	Q'TY	REMARKS

NOTE  
 1. WEIGHT ≒ 2.3 Kg  
 2. COLOR : 7.5 BG 7/2

SHT. NO.

This drawing is the property of CMR KOREA Co.,Ltd. and must not be wholly or partly copied, reproduced, utilized or published without written consent. This is a CADAM drawing and should not be corrected by hand.

GENERAL TOLERANCE FOR BOX OUTLINE		GENERAL TOLERANCE FOR SENSOR & FITTING HOLE		△									
NOMINAL MEASURE		TOLERANCES		NOMINAL MEASURE		TOLERANCES		REV.	LOC	DATE	NOTE		
OVER	MAX.			OVER	MAX.			APP.	20020101	S. D. KIM	TITLE	REV.	0
1	100	± 1.0		1	4	± 0.3		CHK.			FLUSH TYPE TELEPHONE	UNIT	mm
100	200	± 2.0		4	16	± 0.5		DWG.	20020101	B. Y. SON	MODEL : SCB-401A	SCALE	N / S
200	500	± 3.0		16	63	± 1.0		SIZE	A4			DRAWING NO.	CBTFT-05-001
500	1000	± 5.0		63	250	± 2.0		CMR KOREA CO., LTD.					
1000	2000	± 7.0		250	1000	± 2.5							