

1

2

3

4

A

A

B

B

C

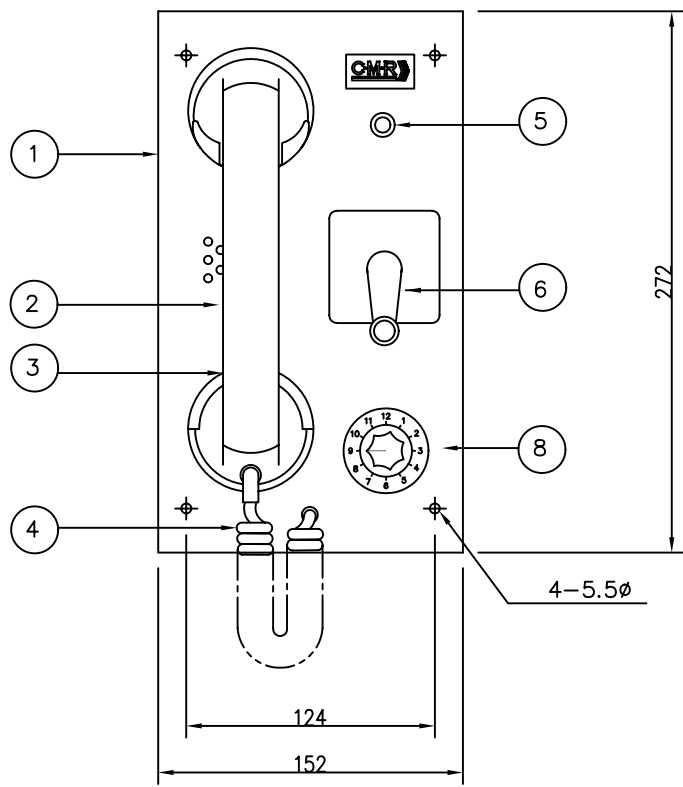
C

D

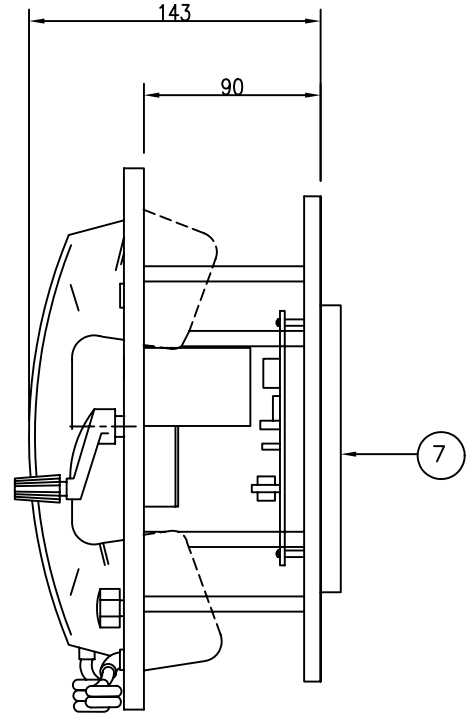
D

E

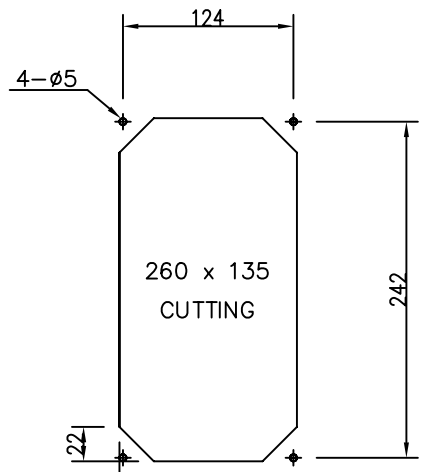
E



FRONT VIEW



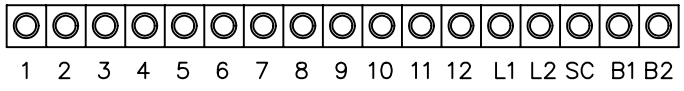
SIDE VIEW



PANEL CUT

TERMINAL BLOCK

SHALL BE CONNECTED HOME POSITION



NOTE

- 1. WEIGHT ≅ 2.3 Kg
- 2. COLOR : 7.5 BG 7/2

SHT. NO.

8	SELECTOR SWITCH	1	
7	TERMINAL BLOCK	1	
6	GENERATOR	1	
5	PILOT LAMP	1	
4	HANDSET CORD	1	
3	HANDSET FASTENER	1	
2	HANDSET	1	
1	FRONT PANEL	1	ABS
NO	NAME OF PARTS	Q'TY	REMARKS

This drawing is the property of CMR KOREA Co.,Ltd. and must not be wholly or partly copied, reproduced, utilized or published without written consent.  
 This is a CADAM drawing and should not be corrected by hand.

GENERAL TOLERANCE FOR BOX OUTLINE		GENERAL TOLERANCE FOR SENSOR & FITTING HOLE		△					
NOMINAL MEASURE		TOLERANCES		NOMINAL MEASURE		TOLERANCES		NOTE	
OVER	MAX.			OVER	MAX.			APP.	20040916
1	100	± 1.0		1	4	± 0.3		CHK.	
100	200	± 2.0		4	16	± 0.5		DWG.	20040916
200	500	± 3.0		16	63	± 1.0		SIZE	A4
500	1000	± 5.0		63	250	± 2.0		TITLE	
1000	2000	± 7.0		250	1000	± 2.5		FLUSH TYPE TELEPHONE (SSB-401A)	
								REV.	0
								UNIT	mm
								SCALE	N / S
								DRAWING NO.	
								SPTFT-07-001	

**CMR** CMR KOREA CO., LTD.