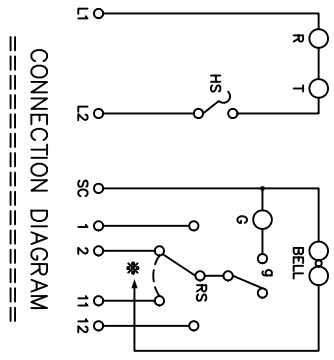


GY	*
BK+YL	SC
BK+WH	L2
BK+GY	L1
BK+OR	12
BK+RD	11
WH	10
GY	9
VT	8
BL	7
GR	6
YL	5
OR	4
RD	3
BR	2
BK	1

10	SELECTOR SWITCH	1	
9	CLOSE PLATE	1	
8	FASTENER	1	
7	FOOT	4	
6	HANDSET CORD	1	
5	GENERATOR	1	
4	HANDSET FASTENER	1	
3	TELEPHONE CORD	1	2 METER
2	HANDSET	1	
1	HOUSING	1	ABS

NOTE  
 ===  
 1. MARK \* SHALL BE CONNECTED WITH IT'S HOME POSITION  
 2. WEIGHT ≒ 2.5 KG



CONNECTION DIAGRAM

This drawing is the property of CMR KOREA Co.,Ltd. and must not be wholly or partly copied, reproduced, utilized or published without permission. This is a CADAM drawing and should not be corrected by hand.

GENERAL TOLERANCE FOR BOX OUTLINE		GENERAL TOLERANCE FOR SENSOR & FITTING HOLE	
NOMINAL MEASURE	TOLERANCES	NOMINAL MEASURE	TOLERANCES
OVER	MAX	OVER	MAX
1	100	1	4
100	± 1.0		± 0.3
100	± 2.0	1	16
200	± 2.0		± 0.5
200	± 3.0	16	63
500	± 3.0		± 1.0
500	± 5.0	63	250
1000	± 5.0		± 2.0
1000	± 7.0	250	1000
			± 2.5

△			
△			
△			

REV.	LOC	DATE

TITLE		NOTE	
APP.	20021118	S. D. KIM	
CHK.			
DWG.	20021118	B. Y. SON	

1000	2000	± 7.0	250	1000	± 2.5	
SIZE		A4	CMR		DRAWING NO.	
			CMR KOREA CO., LTD.		SPTDT-02-001	
APP.		20021118	S. D. KIM		REV.	0
CHK.					UNIT	mm
DWG.		20021118	B. Y. SON		SCALE	N / S
TITLE		DESK TYPE TELEPHONE				
MODEL		SSD-100B				