

1

2

3

4

A

A

B

B

C

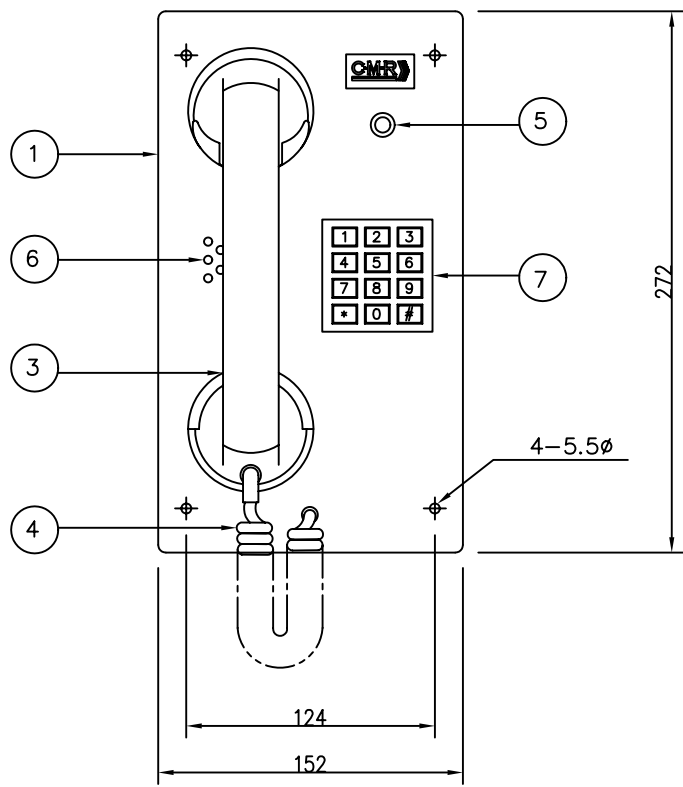
C

D

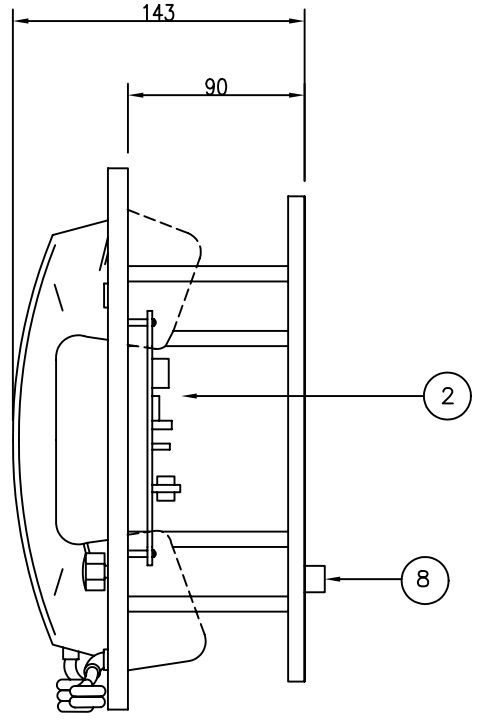
D

E

E

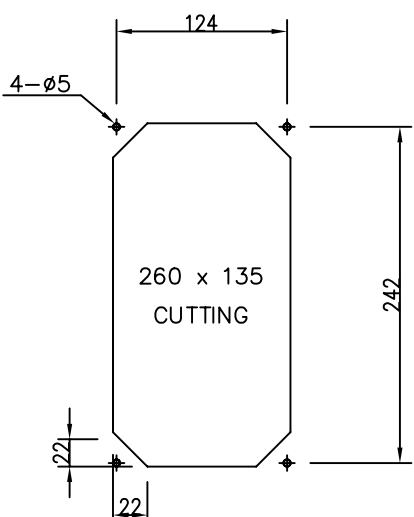


FRONT VIEW

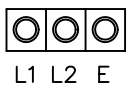


SIDE VIEW

TERMINAL BLOCK



PANEL CUT



WEIGHT : 1.4 Kg
 COLOR : 7.5 BG 7/2

NO.	NAME	Q'TY	MATERIAL
8	TERMINAL BOARD	1	
7	DIAL BUTTON	12	
6	SPEAKER	1	
5	PILOT LAMP	1	
4	HANDSET CORD	1	
3	HANDSET	1	
2	P.C.B	1	
1	PANEL	1	ABS

SHT. NO.

This drawing is the property of CMR KOREA Co.,Ltd. and must not be wholly or partly copied, reproduced, utilized or published without written consent.
 This is a CADAM drawing and should not be corrected by hand.

GENERAL TOLERANCE FOR BOX OUTLINE		GENERAL TOLERANCE FOR SENSOR & FITTING HOLE		△				NOTE	
NOMINAL MEASURE	TOLERANCES	NOMINAL MEASURE	TOLERANCES	REV.	LOC	DATE			
OVER	MAX.	OVER	MAX.	APP.	20021118		S. D. KIM	TITLE	REV.
1	100	± 1.0	1	4	± 0.3	CHK.		FLUSH TYPE TELEPHONE	0
100	200	± 2.0	4	16	± 0.5	DWG.	20021118	SAB-401A	UNIT
200	500	± 3.0	16	63	± 1.0	SIZE	B. Y. SON		mm
500	1000	± 5.0	63	250	± 2.0	A4		SCALE	N / S
1000	2000	± 7.0	250	1000	± 2.5				DRAWING NO.
									AUTFT-05-001

1

2

3

4